

DS-1602ZJ-Pole-P

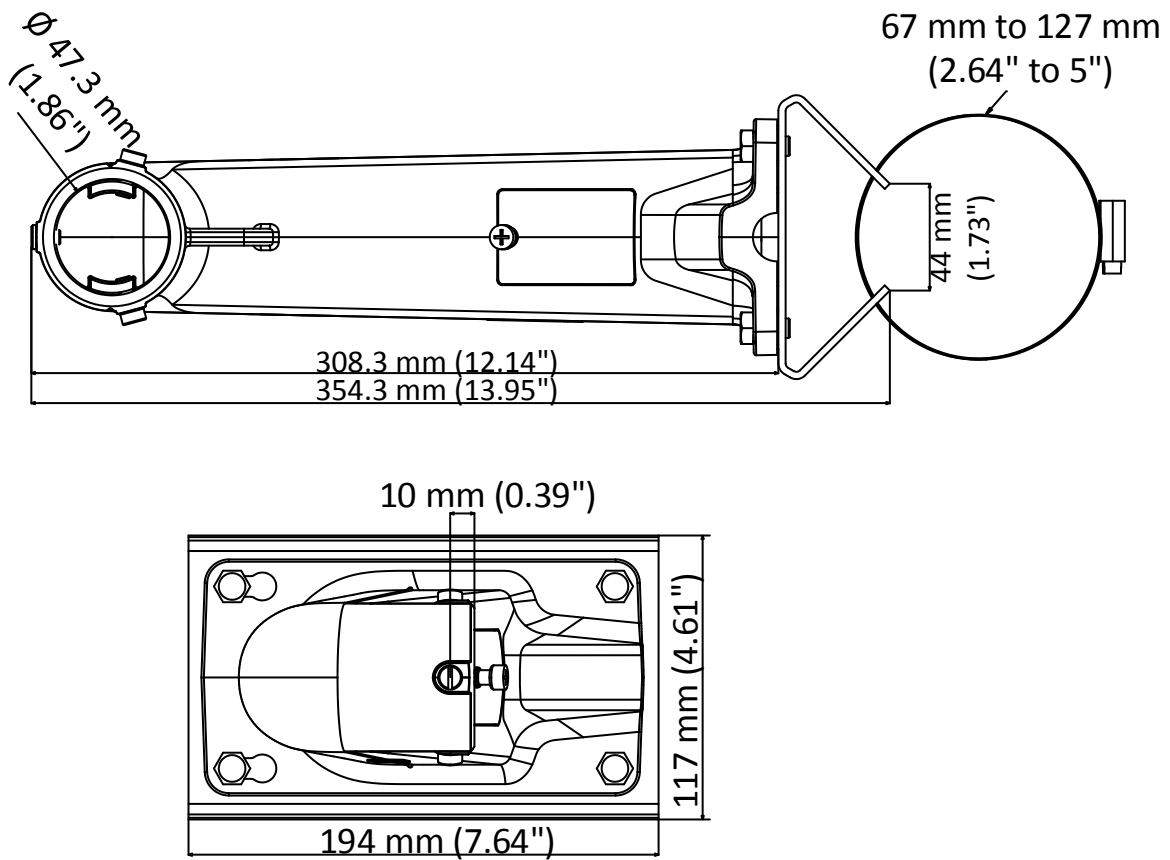
Vertical Pole Mount for Speed Dome



Feature

- Aluminum alloy, Steel, and Stainless Steel with surface spray treatment
- The hook for safety rope facilitates speed dome's installation
- Waterproof design

Dimension



Available Model

DS-1602ZJ-Pole-P

Parameter

Model	DS-1602ZJ-Pole-P
Parameters	Vertical Pole Mount for Speed Dome
Appearance	Platinum Gray
Material	Aluminum Alloy, Steel, and Stainless Steel
Dimension	354.3 mm × 194.0 mm × 117.0 mm (13.95" × 7.64" × 4.61")
Weight	2040 g (4.50 lb.)

Note

- The wall must be capable of supporting at least 3 times as much as the total weight of the speed dome and the mount.
- The mount's maximum load capacity is 10 kg (22 lb.).