

## DS-1661ZJ-P

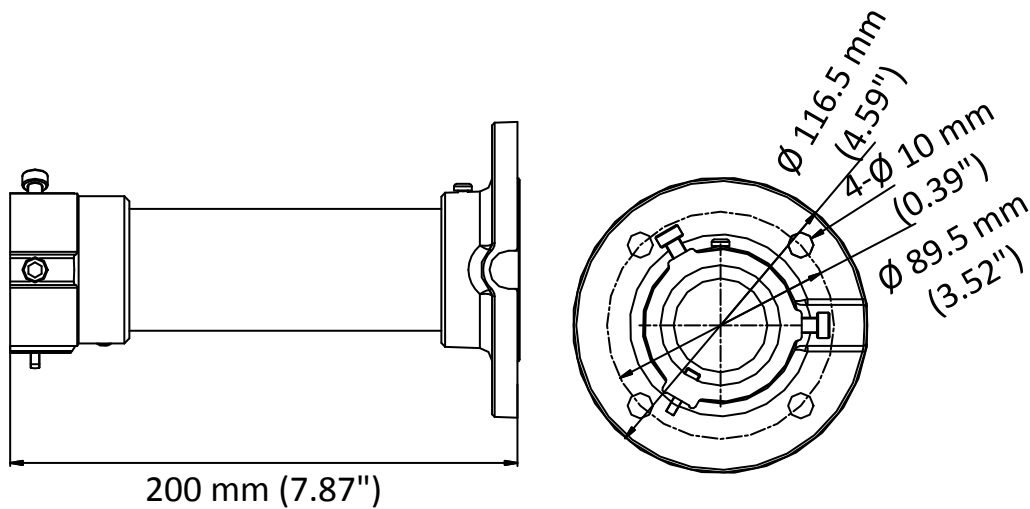
### Pendant Mount for Speed Dome



#### Feature

- Aluminum alloy with surface spray treatment
- The hook for safety rope facilitates speed dome's installation
- Waterproof design

#### Dimension



#### Available Model

DS-1661ZJ-P

#### Parameter

Model	DS-1661ZJ-P
Parameters	Pendant Mount for Speed Dome
Appearance	Platinum Gray
Material	Aluminum Alloy
Dimension	Ø 116.5 mm × 200 mm (4.59" × 7.87")
Weight	600 g (1.32 lb.)

#### Note

- The mount should be installed on the flat surface.
- The waterproof rubber is necessary for the outdoor application.
- The wall must be capable of supporting at least 3 times as much as the total weight of the speed dome and the mount.
- The mount's maximum load capacity is 10 kg (22 lb.).