

DS-PD115AM-LM-WB/WE Wireless External Tri-T AM Detector

©2021 Hangzhou Hikvision Digital Technology Co., Ltd. All rights reserved.

About this Manual

The Manual includes instructions for using and managing the Product. Pictures, charts, images and all other information hereinafter are for description and explanation only. The information contained in the Manual is subject to change, without notice, due to firmware updates or other reasons. Please find the latest version of this Manual at the Hikvision website (<https://www.hikvision.com/>). Please use this Manual with the guidance and assistance of professionals trained in supporting the Product.

HIKVISION and other Hikvision's trademarks and logos are the properties of Hikvision in various jurisdictions. Other trademarks and logos mentioned are the properties of their respective owners.

Disclaimer

TO THE MAXIMUM EXTENT PERMITTED BY APPLICABLE LAW, THIS MANUAL AND THE PRODUCT DESCRIBED, WITH ITS HARDWARE, SOFTWARE AND FIRMWARE, ARE PROVIDED "AS IS" AND "WITH ALL FAULTS AND ERRORS". HIKVISION MAKES NO WARRANTIES, EXPRESS OR IMPLIED, INCLUDING WITHOUT LIMITATION, MERCHANTABILITY, SATISFACTORY QUALITY, OR FITNESS FOR A PARTICULAR PURPOSE. THE USE OF THE PRODUCT BY YOU IS AT YOUR OWN RISK. IN NO EVENT WILL HIKVISION BE LIABLE TO YOU FOR ANY SPECIAL, CONSEQUENTIAL, INCIDENTAL, OR INDIRECT DAMAGES, INCLUDING, AMONG OTHERS, DAMAGES FOR LOSS OF BUSINESS PROFITS, BUSINESS INTERRUPTION, OR LOSS OF DATA, CORRUPTION OF SYSTEMS, OR LOSS OF DOCUMENTATION, WHETHER BASED ON BREACH OF CONTRACT, TORT (INCLUDING NEGLIGENCE), PRODUCT LIABILITY, OR OTHERWISE, IN CONNECTION WITH THE USE OF THE PRODUCT, EVEN IF HIKVISION HAS BEEN ADVISED OF THE POSSIBILITY OF SUCH DAMAGES OR LOSS.

YOU AGREE TO USE THIS PRODUCT IN COMPLIANCE WITH ALL APPLICABLE LAWS, AND YOU ARE SOLELY RESPONSIBLE FOR ENSURING THAT YOUR USE CONFORMS TO THE APPLICABLE LAW. ESPECIALLY, YOU ARE RESPONSIBLE, FOR USING THIS PRODUCT IN A MANNER THAT DOES NOT INFRINGE ON THE RIGHTS OF THIRD PARTIES, INCLUDING WITHOUT LIMITATION, RIGHTS OF PUBLICITY, INTELLECTUAL PROPERTY RIGHTS, OR DATA PROTECTION AND OTHER PRIVACY RIGHTS. YOU SHALL NOT USE THIS PRODUCT FOR ANY PROHIBITED END-USES, INCLUDING THE DEVELOPMENT OR PRODUCTION OF WEAPONS OF MASS DESTRUCTION, THE DEVELOPMENT OR PRODUCTION OF CHEMICAL OR BIOLOGICAL WEAPONS, ANY ACTIVITIES IN THE CONTEXT RELATED TO ANY NUCLEAR EXPLOSIVE OR UNSAFE NUCLEAR FUEL-CYCLE, OR IN SUPPORT OF HUMAN RIGHTS ABUSES.

IN THE EVENT OF ANY CONFLICTS BETWEEN THIS MANUAL AND THE APPLICABLE LAW, THE LATER PREVAILS.



This product and - if applicable - the supplied accessories too are marked with "CE" and comply therefore with the applicable harmonized European standards listed under the EMC Directive 2014/30/EU, RE Directive 2014/53/EU, the RoHS Directive 2011/65/EU.



replacement of a battery with an incorrect type that can defeat a safeguard (for example, in the case of some lithium battery types);
- disposal of a battery into fire or a hot oven, or mechanically crushing or cutting of a battery, that can result in an explosion;
- leaving a battery in an extremely high temperature surrounding environment that can result in an explosion or the leakage of flammable liquid or gas; and
- a battery subjected to extremely low air pressure that may result in an explosion or the leakage of flammable liquid or gas



2012/19/EU (WEEE directive): Products marked with this symbol cannot be disposed of as unsorted municipal waste in the European Union. For proper recycling, return this product to your local supplier upon the purchase of equivalent new equipment, or dispose of it at designated collection points. For more information see: www.recyclethis.info



2006/66/EC (battery directive): This product contains a battery that cannot be disposed of as unsorted municipal waste in the European Union. See the product documentation for specific battery information. The battery is marked with this symbol, which may include lettering to indicate cadmium (Cd), lead (Pb), or mercury (Hg). For proper recycling, return the battery to your supplier or to a designated collection point. For more information see: www.recyclethis.info



Warning

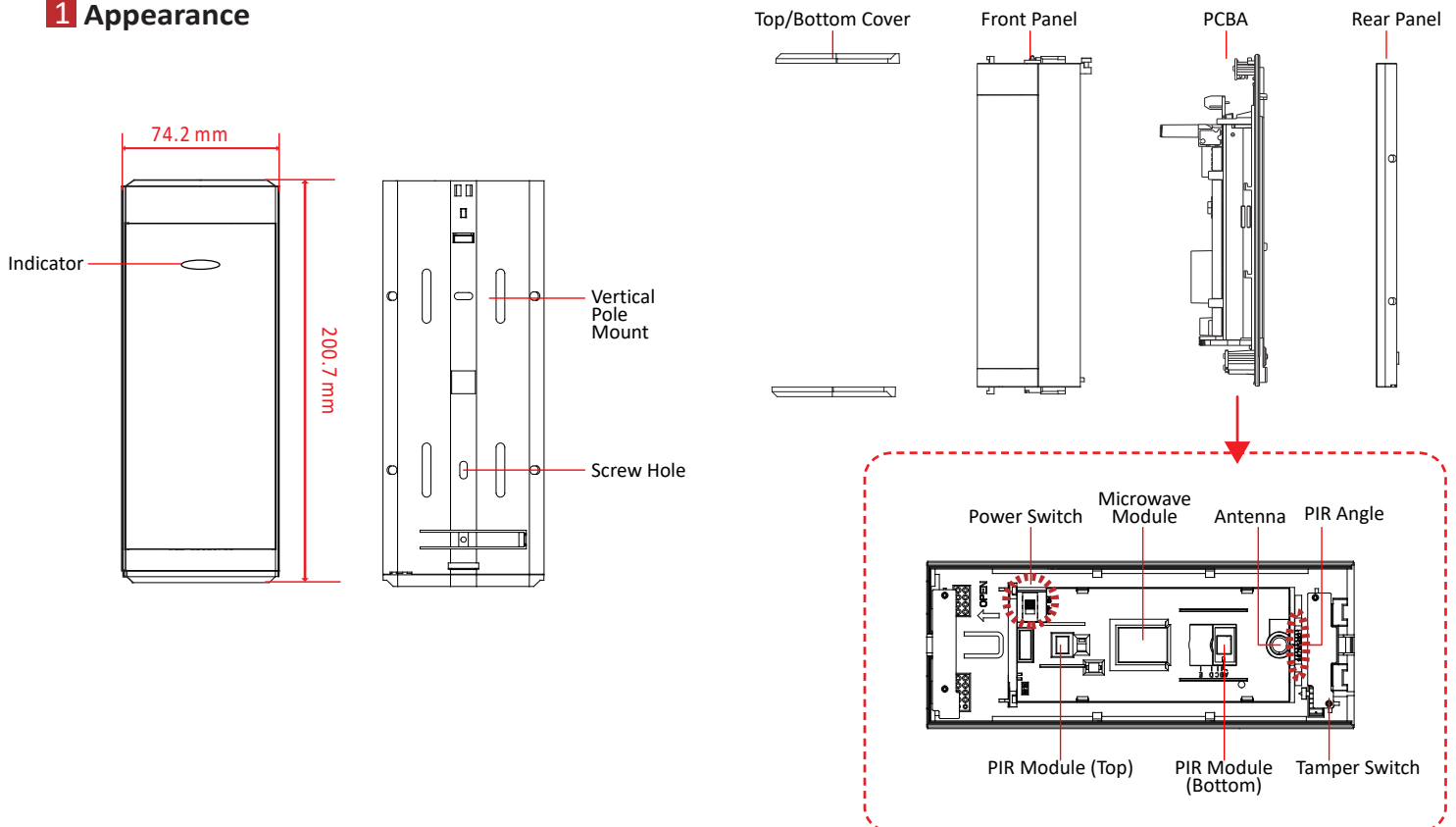
1. Do not ingest battery, Chemical Burn Hazard
2. Keep new and used batteries away from the children.
3. If the battery compartment does not close securely, stop using the product and keep it away from children.
4. If you think batteries might have been swallowed or placed inside any part of the body, seek immediate medical attention.



Caution

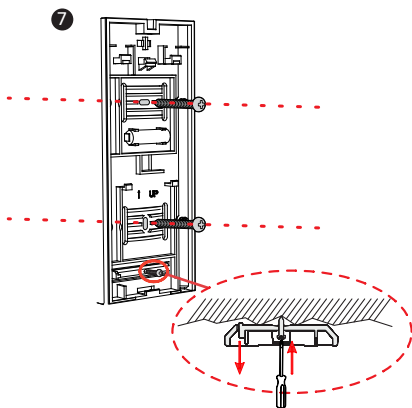
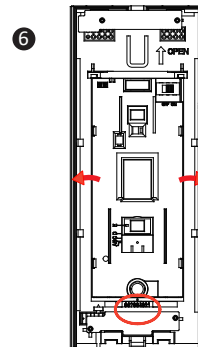
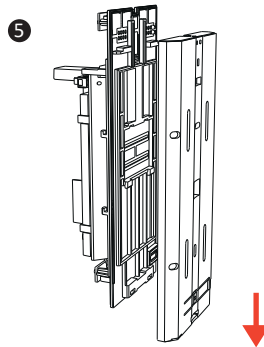
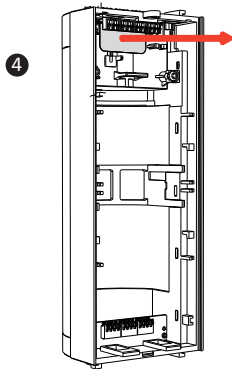
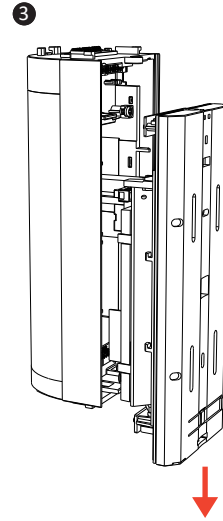
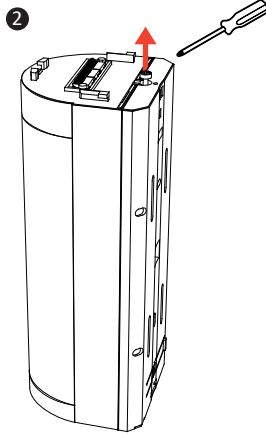
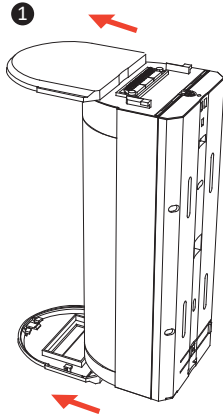
1. Risk of fire or explosion if the battery is replaced by an incorrect type.
2. Improper replacement of the battery with an incorrect type may defeat a safeguard (for example, in the case of some lithium battery types).
3. Do not dispose of the battery into fire or a hot oven, or mechanically crush or cut the battery, which may result in an explosion.
4. Do not leave the battery in an extremely high temperature surrounding environment, which may result in an explosion or the leakage of flammable liquid or gas.
5. Do not subject the battery to extremely low air pressure, which may result in an explosion or the leakage of flammable liquid or gas.
6. Dispose of used batteries according to the instructions

1 Appearance

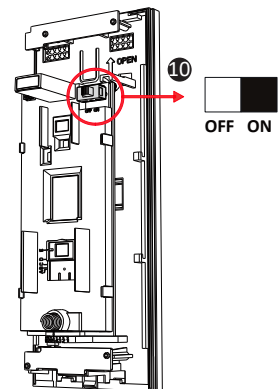
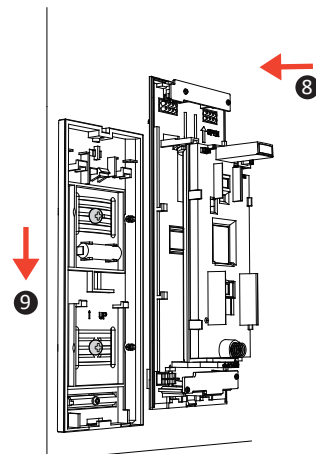


2 Installation

1. Push the top and bottom covers forward and remove them.
2. Loosen the screw.
3. Push the rear shell and the middle frame downward and remove them.
4. Remove the battery insulator.
5. Push down and remove rear panel.
6. Rotate the PIR button according to your actual needs.
7. Secure the rear panel with 2 screws. If the wall is not smooth enough, adjust the tamper screw to secure.
- 8-9. Install the middle frame back to the rear shell.
10. Power on the detector.



Note:
When the wall surface is uneven, you
can adjust the tamper screw.



11. Enrollment

• Enrollment Preparation

Log in to the APP Store, download and install the App.

Power on the security control panel.

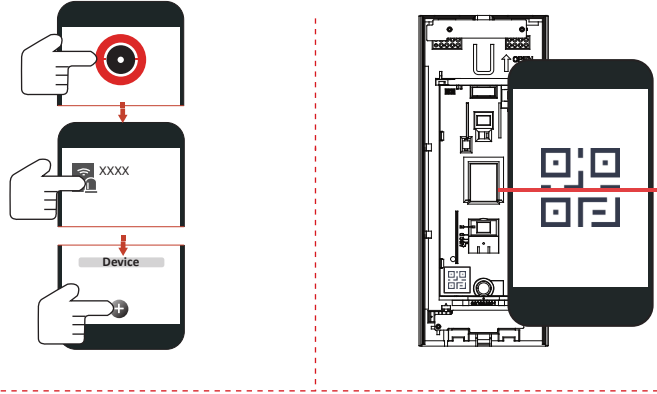
Log in the APP and tap the icon "+". Scan the QR code or input the control panel serial No. to add the control panel.

① Enroll the Peripheral Locally

In the APP, tap the "Enrollment Mode" button on the control panel page to make the control panel enter the enrollment status.

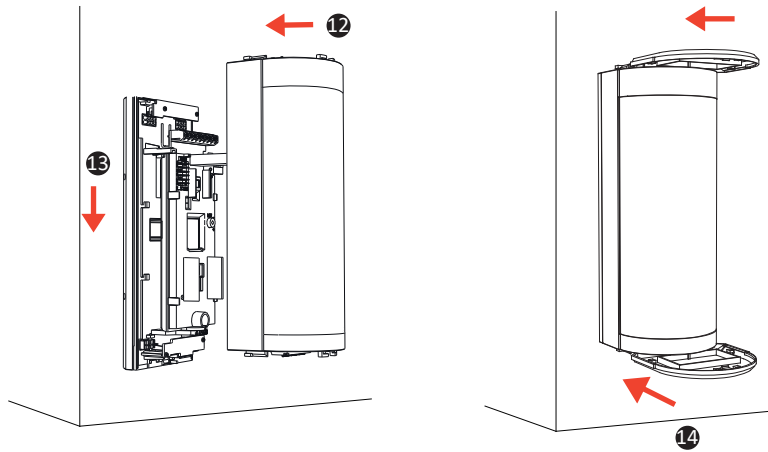
② Enroll the Peripheral with QR and serial No.

In the APP, tap the icon "+" and scan the QR code or serial No. on the peripheral.



12-13. Install the front panel back.

14. Push the top and bottom covers back.



3 Enrollment

1. Enrollment succeeded: Flash green for 7 times.

Note: The front panel should be installed before powering on successfully.

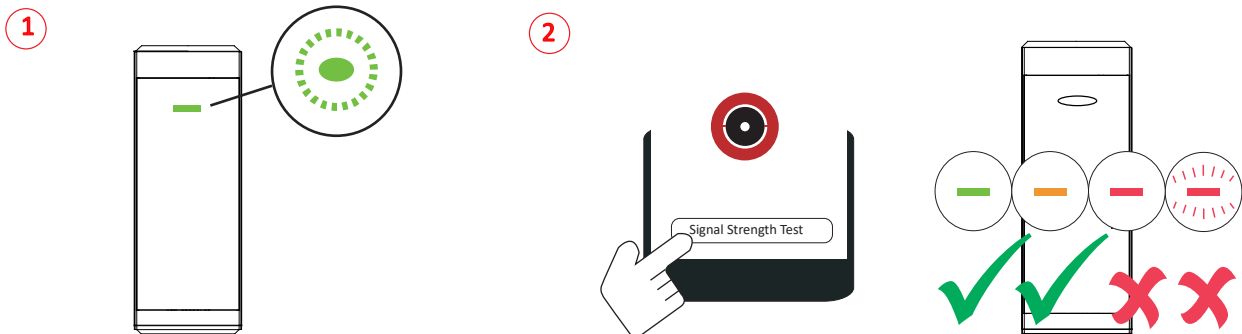
2. Check signal Strength

Solid Green for 3 s - Strong Signal

Solid Orange for 3 s - Medium Signal

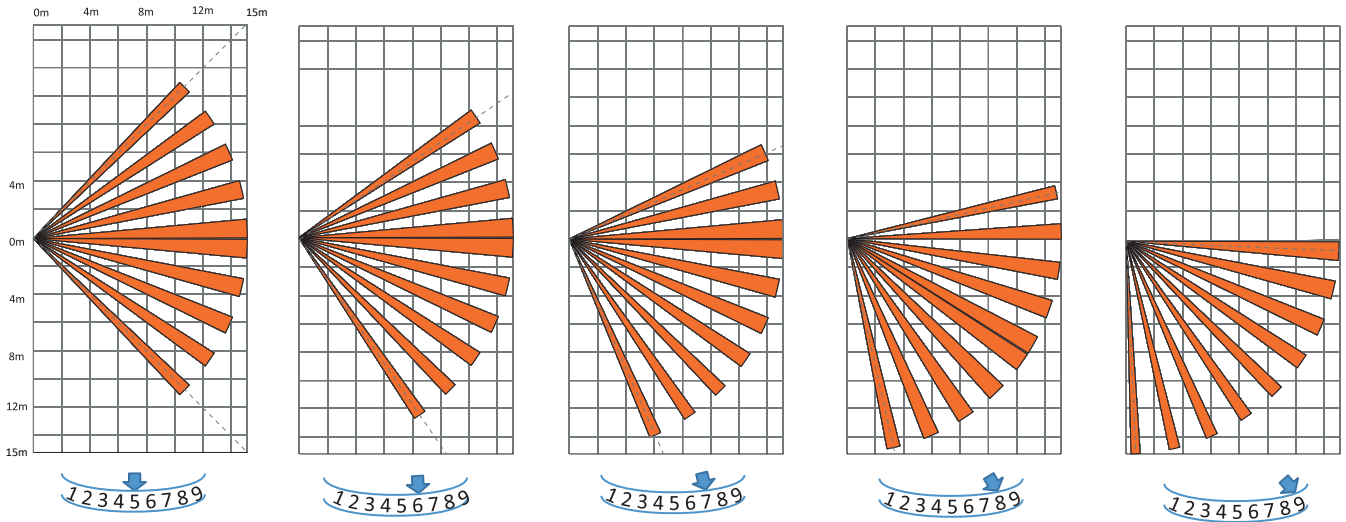
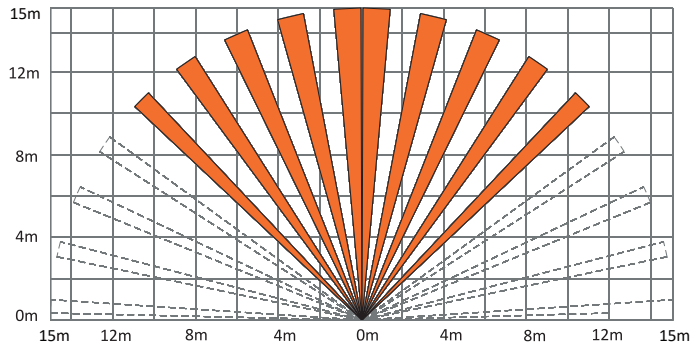
Solid Red for 3 s - Weak Signal

Flash Red for 6 times - Lost Signal

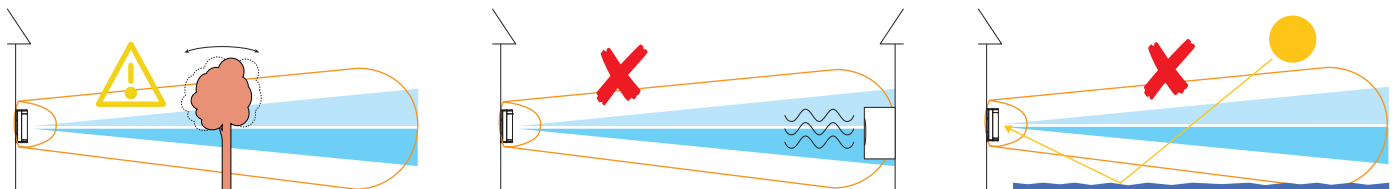
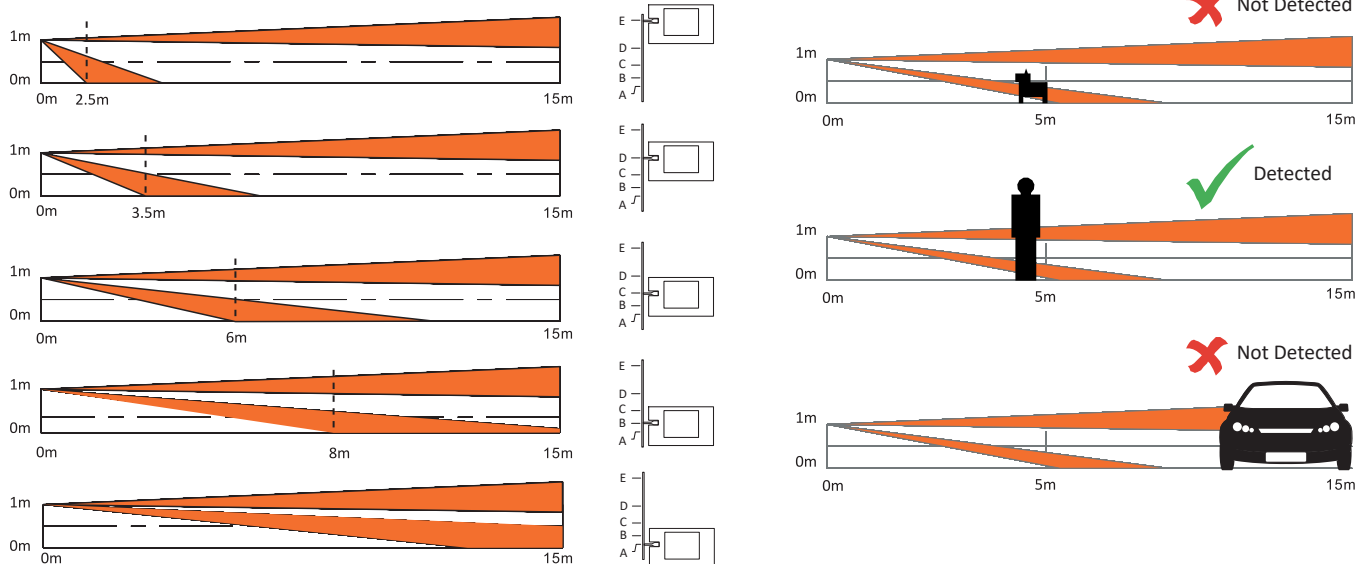


4 Detection Range

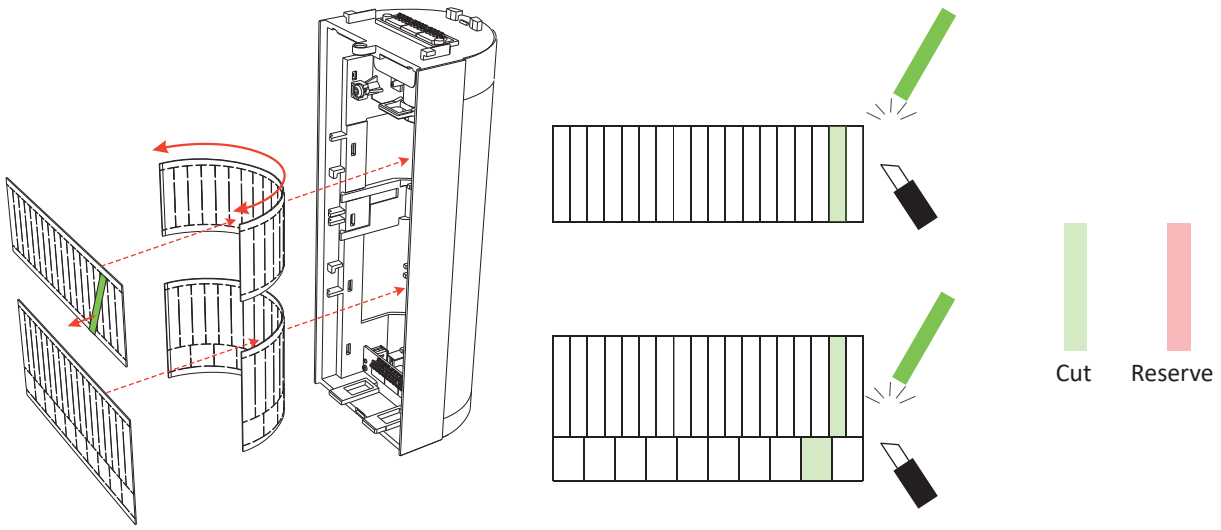
There are 9 scales in the horizontal direction to realize 90° rotation adjustment.
The average angle of one scale is 90/8.



There are 5 scales in the vertical direction to adjust the detection distance.
The default angle is A and the detection range is 15m.



Cut off the knockout portion with a cutter knife.
Stick it on the lens in the corresponding area.



Masking Seal 1

Masking Seal 1 top
1 2 3 4 5 6 7 8 9 10 11 12 13 14 15 16 17 18

Masking Seal 1 bottom
19 20 21 22 23 24 25 26 27 28 29 30 31 32 33 34 35 36
37 38 39 40 41 42 43 44 45 46

Cut #1, #9, #19, #27, #37, #41

Cut #10, #18, #28 #36, #42, #46

Masking Seal 5

Masking Seal 5 top
1 2 3 4 5 6 7 8 9 10 11 12 13 14 15 16 17 18

Masking Seal 5 bottom
19 20 21 22 23 24 25 26 27 28 29 30 31 32 33 34 35 36
37 38 39 40 41 42 43 44 45 46

Cut #1, #3, #5, #7, #8, #9, #25, #26, #27, #37, #38, #39, #40, #41

E
D
C
B
A

Masking Seal 2

Masking Seal 2 top
1 2 3 4 5 6 7 8 9 10 11 12 13 14 15 16 17 18

Masking Seal 2 bottom
19 20 21 22 23 24 25 26 27 28 29 30 31 32 33 34 35 36
37 38 39 40 41 42 43 44 45 46

Cut #1, #19, #37

Cut #18, #36, #46

Masking Seal 6

Masking Seal 6 top
1 2 3 4 5 6 7 8 9 10 11 12 13 14 15 16 17 18

Masking Seal 6 bottom
19 20 21 22 23 24 25 26 27 28 29 30 31 32 33 34 35 36
37 38 39 40 41 42 43 44 45 46

Cut #10, #12, #14, #16, #17, #18, #34, #35, #36, #42, #43, #44, #45, #46

E
D
C
B
A

Masking Seal 3

Masking Seal 3 top
1 2 3 4 5 6 7 8 9 10 11 12 13 14 15 16 17 18

Masking Seal 3 bottom
19 20 21 22 23 24 25 26 27 28 29 30 31 32 33 34 35 36
37 38 39 40 41 42 43 44 45 46

Cut #9, #27, #41

Cut #10, #28, #42

Masking Seal 7

Masking Seal 6 top
1 2 3 4 5 6 7 8 9 10 11 12 13 14 15 16 17 18

Masking Seal 6 bottom
19 20 21 22 23 24 25 26 27 28 29 30 31 32 33 34 35 36
37 38 39 40 41 42 43 44 45 46

Cut #10, #11, #12, #14, #16, #18, #28, #29, #30, #42, #43, #44, #45, #46

E
D
C
B
A

Masking Seal 4

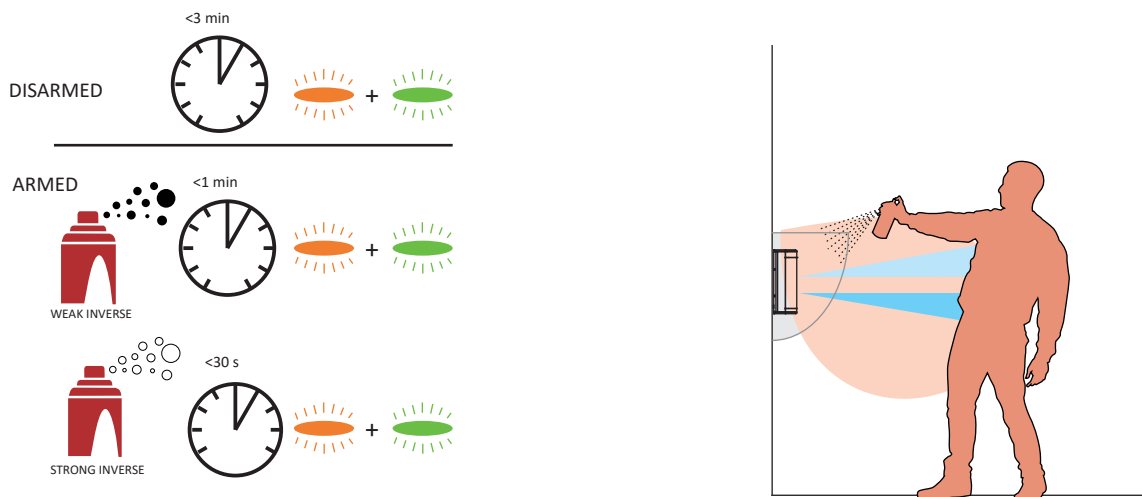
Masking Seal 4 top
1 2 3 4 5 6 7 8 9 10 11 12 13 14 15 16 17 18

Masking Seal 4 bottom
19 20 21 22 23 24 25 26 27 28 29 30 31 32 33 34 35 36
37 38 39 40 41 42 43 44 45 46

Cut #1, #2, #3, #5, #7, #9, #19, #20, #21, #37, #38, #39, #40, #41

E
D
C
B
A

5 Anti-Masking Alarm



6 Set Up with App

You can view the device status including temperature, signal intensity, battery level, lid, external input, etc., on the device page. Tap the button to enter the settings page.

7 Operation Caution and Device Maintenance

- All the electronic operation should be strictly compliance with the electrical safety regulations, fire prevention regulations and other related regulations in your local region.
- Do not drop the device or subject it to physical shock, and do not expose it to high electromagnetism radiation. Avoid the equipment installation on vibrations surface or places subject to shock (ignorance can cause equipment damage).
- Please make sure that the power has been disconnected before you wire, install or dismantle the device.
- If smoke, odors or noise rise from the device, turn off the power at once and unplug the power cable, and then please contact the service center.
- Do not drop the device or subject it to physical shock, and do not expose it to high electromagnetism radiation. Avoid the equipment installation on vibrations surface or places subject to shock (ignorance can cause equipment damage).
- Do not place the device in extremely hot (refer to the specification of the device for the detailed operation temperature), cold, dusty or damp locations, and do not expose it to high electromagnetic radiation.
- The device for indoor use shall be kept from rain and moisture.
- Exposing the equipment to direct sun light, low ventilation or heat source such as heater or radiator is forbidden (ignorance can cause fire danger).
- Do not aim the device at the sun or extra bright places. A blooming or smear may occur otherwise (which is not a malfunction however), and affecting the endurance of sensor at the same time.
- Improper use or replacement of the battery may result in hazard of explosion. Replace with the same or equivalent type only. Dispose of used batteries according to the instructions provided by the battery manufacturer.
- Do not expose the device to the corrosive gas. Otherwise the equipment damage may occur.
- Do not expose the device to the explosive situation.

8 Specification

DS-PDPT15AM-LM-WB

Detection Method	Passive Infrared,Microwave
Detection Range	15m
Detection Angle	90° @ 180° adjustable
Detection Zones	92
Detectable Speed	0.2~3m/s
Sensitivity	Auto,Low
White Light Filter	10000lux
Microwave Frequency	24GHz(24.15~24.25GHz)
Pet Immunity	45Kg
Anti-masking	Support
Adaptable Coverage	Pattern mask included
Digital Processing	Tri-Signal Logic
Sealed Optics	Support
Tamper Protection	Front,Rear
Environment Temperature Indicator	Support
Signal Strength Indicator	Support
Anti-Sway Analytics	Support
Power Switch	Power Up Enrolling
LED Indicator	Green(Top PIR), Red(Microwave), Orange(Bottom PIR), Green+Orange(Mask), Blue(Alarm)
Transmission Technology	Tri-X Wireless
Transmission Method	Two-Way RF Wireless
Transmission Frequency	433MHz
Transmission Security	AES-128 Encryption
Transmission Range(Free Space)	1Km
Frequency Hopping	Support
Enrolling Method	Power up,Remote ID,QR Code
Standard Battery Life	5 years in work status (being triggered 20 times per day)
Power Supply	Battery Powered
Battery Type	CR123A × 5
Typical Voltage	3V
Low Voltage Value	2.45±0.1V
Voltage Range	Fully charged(new) to 2.45±0.1V(battery)
Operation Temperature	-25 °C to 60 °C (-13 °F to 140 °F)
Storage Temperature	-25 °C to 60 °C (-13 °F to 140 °F)
Operation Humidity	10% to 90%
IP Rate	IP65
Dimension(WxHxD)	75mm × 202mm × 73mm
Weight	600g
Mounting Height	0.8 to 1.2m
Mounting Method	Wall

DS-PDPT15AM-LM-WE

Detection Method	Passive Infrared,Microwave
Detection Range	15m
Detection Angle	90° @ 180° adjustable
Detection Zones	92
Detectable Speed	0.3~2m/s
Sensitivity	Auto,Low
White Light Filter	10000lux
Pet Immunity	45Kg
Microwave Frequency	24GHz(24.15~24.25GHz)
Digital Temperature Compensation	Tri-Signal Logic
Anti-masking	Support
Adaptable Coverage	Support
Digital Processing	Tri-Signal Logic
Sealed Optics	Support
Tamper Protection	Front,Rear
Environment Temperature Indicator	Support
Signal Strength Indicator	Support
Anti-Sway Analytics	Support
Power Switch	Power Up Enrolling
LED Indicator	Green(Top PIR), Red(Microwave), Orange(Bottom PIR), Green+Orange(Mask), Blue(Alarm)
Transmission Technology	Tri-X Wireless
Transmission Method	Two-Way RF Wireless
Transmission Frequency	868MHz
Transmission Security	AES-128 Encryption
Transmission Range(Free Space)	1.6Km
Frequency Hopping	Support
Enrolling Method	Power up,Remote ID,QR Code
Standard Battery Life	5 years in work status (being triggered 20 times per day)
Power Supply	Battery Powered
Battery Type	CR123A × 5
Typical Voltage	3V
Low Voltage Value	2.45±0.1V
Voltage Range	Fully charged(new) to 2.45±0.1V(battery)
Operation Temperature	-25 °C to 60 °C (-13 °F to 140 °F)
Storage Temperature	-25 °C to 60 °C (-13 °F to 140 °F)
Operation Humidity	10% to 90%
IP Rate	IP65
Dimension(WxHxD)	75mm × 202mm × 73mm
Weight	600g
Mounting Height	0.8 to 1.2m
Mounting Method	Wall

UD24915B