

Mount Bracket

SBV-120GW



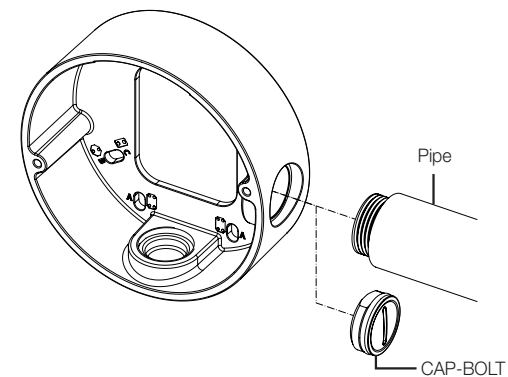
Product Overview

This product is an adaptor used to install our Vandal Dome Camera (QNV-6012R/6022R/6032R, QNV-7010R/7020R/7030R, QNV-8010R/8020R/8030R, LNV-6010R/6020R/6030R, LNV-6012R/6022R/6032R) in the electric gang box or on the wall or ceiling. (For compatible models, please visit our website.)

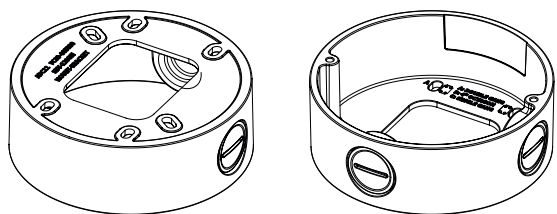
Installation Precautions

Please make sure to install on an area which is strong enough to support more than 4 times of the total weight of this product and the camera. Depending on some installation conditions, this product can be connected to 0.75" PF which is a screw peak processed pipe.

- 2 Remove the cap-bolt in the selected direction before inserting the pipe.



Package



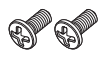
MOUNT-BRACKET



SCREW-SPECIAL



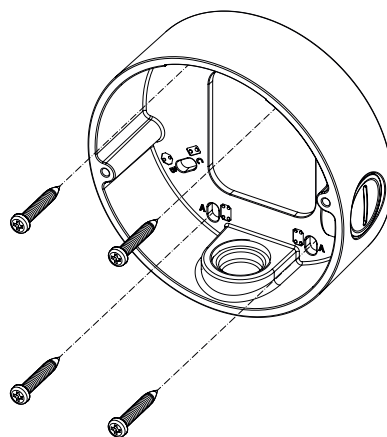
ANCHOR



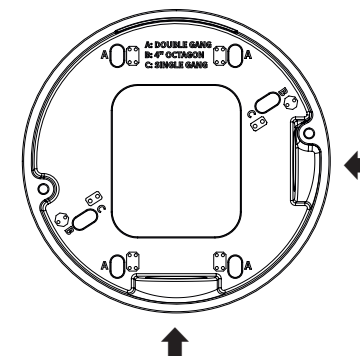
SCREW-MACHINE

Installation

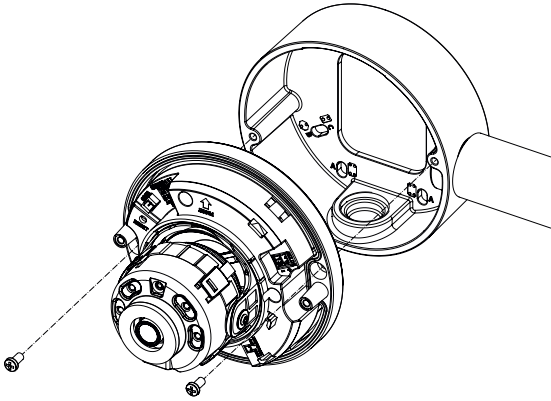
- 1 Install the mount bracket on a desired position.



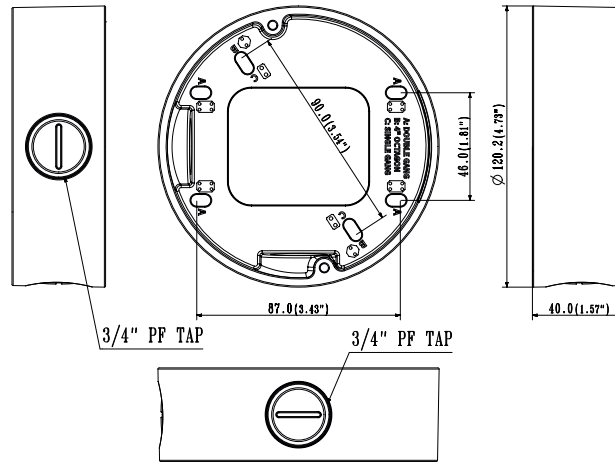
- ! However, take into consideration the pipe insertion direction. There are two directions available for inserting the pipe.



- 3 Attach the case-bottom to the mount bracket.



Product Outline



Product Specifications

Weight	280g
Material	Aluminum
Operating Temperature	-50°C~60°C
Operating Humidity	0~100%

MEMO